

Floor Spring  
Accessories

**DORMA**

**BTS  
Accessories**

## For single action aluminium doors

### Aluminium door straps

- For flush-closing single action aluminium doors of various types
- Door width up to 1200 mm, door weight up to 120 kg
- Non-handed
- Easy to fix – no milling or routing necessary, only 4 holes to drill
- Fast and simple installation with lock-pin arrangement
- Robust and secure installation with backplates and reinforcing angle bracket on door strap
- Steel insert press-fitted in aluminium door strap gives close tolerance connection to spindle.

### DORMA aluminium door strap

Art. No. 7459

Silver (EV 1, Euras C-0):

Order No. 45010409

Dark bronze

(DB 4, Euras C-34):

Order No. 45010709

Special colours on request.

### DORMA aluminium door strap

Art. No. 7459 B

Silver (EV 1, Euras C-0):

Order No. 45010482

Dark bronze

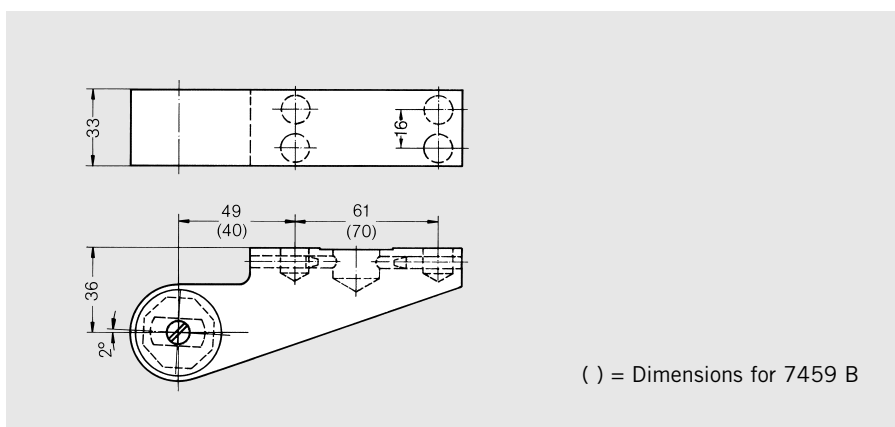
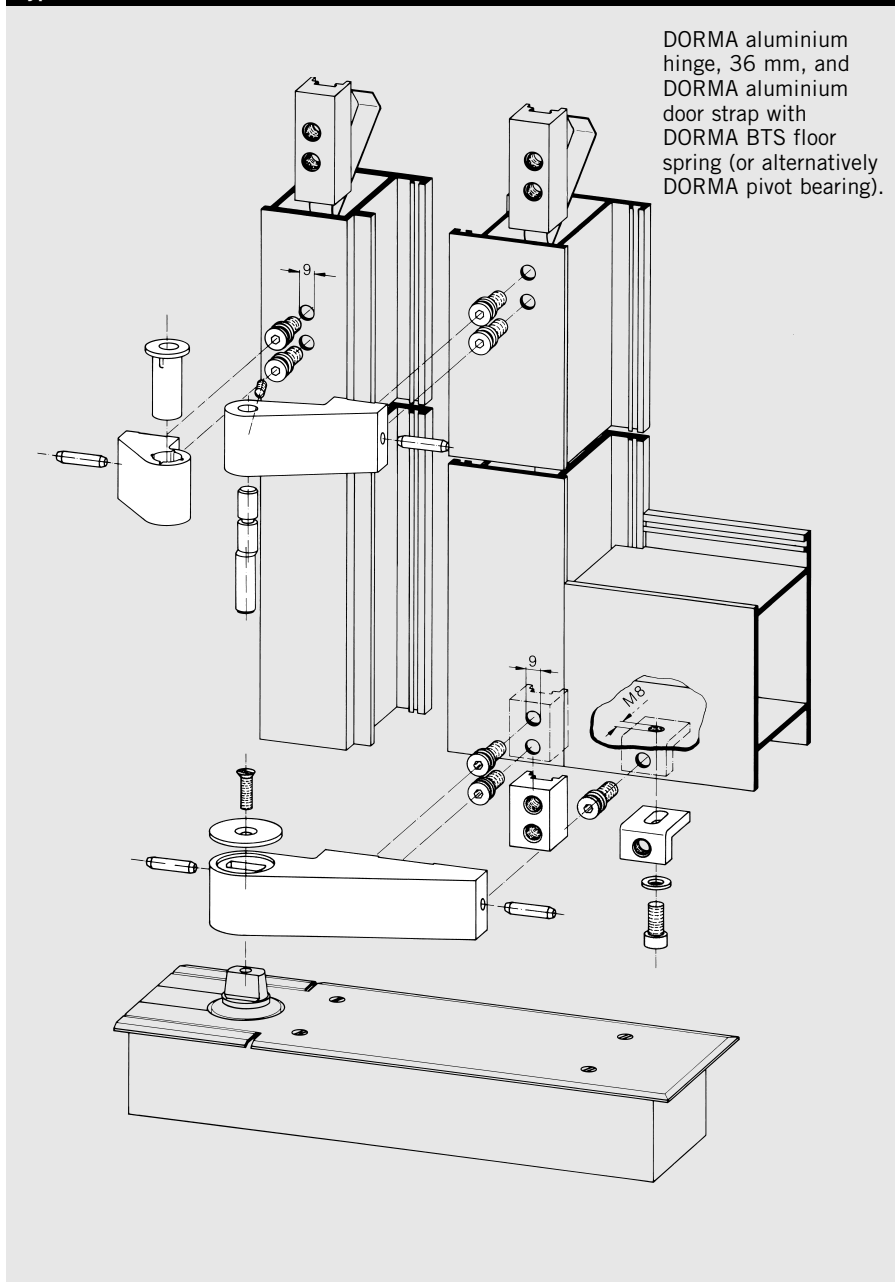
(DB 4, Euras C-34):

Order No. 45010782

Special colours on request.

For further details and aluminium hinges, see our brochure entitled "DORMA LM hinges" with ordering guide.

### Typical installation



**Drill jig for aluminium hinges**

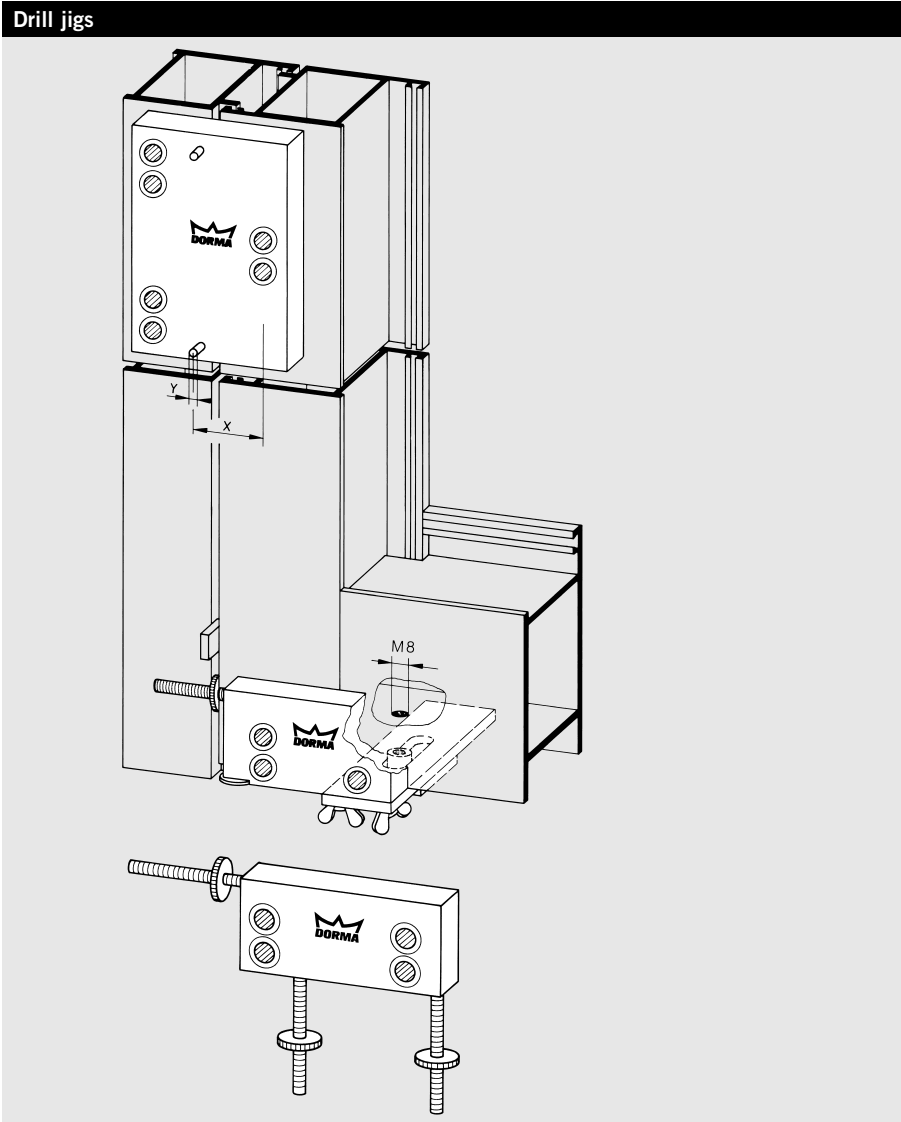
For standard hinges (9 mm dia.), for IK (insulated construction) hinges (11 mm dia.) and also for 2 and 3-part hinges; indicate dimensions x and y or the profile.

**Universal drill jig for aluminium door strap**

Art. No. 7459 L  
Adjustable to suit various profile systems; for normal doors (9 mm dia.) and also for insulated doors, external fixing (11 mm dia.).  
Standard design: Order No. 45090074  
B-type: Order No. 45090075

**Universal drill jig for direct screw-fixing of aluminium door strap**

Art. No. 7459 L/D  
Adjustable to various profile systems for direct fixing; for normal doors (9 mm dia.) and also for insulated doors, external fixing (11 mm dia.).  
Standard design: Order No. 45090077  
B-type: Order No. 45090078

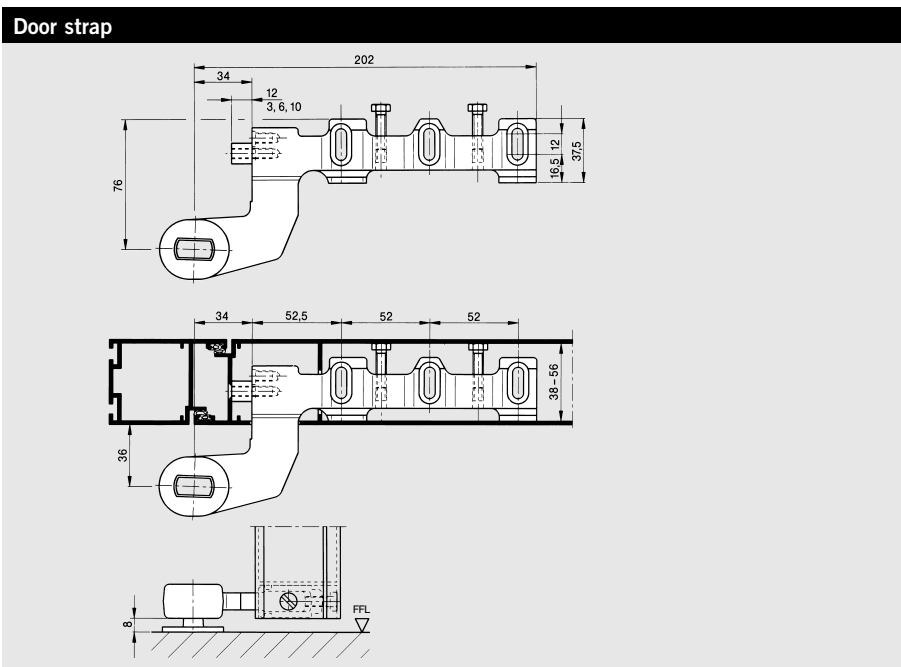


**Door strap**

Art. No. 7456/1  
Drop forged steel; adjustable to various profile systems, non-handed.  
Order No. 45010006

**Cover caps**

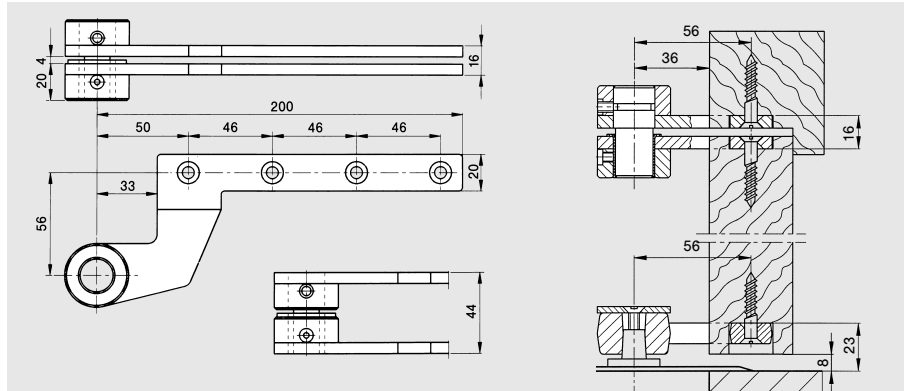
See pages 4 and 5,  
Art. No. 7481 and 7482.



## For flush-closing doors

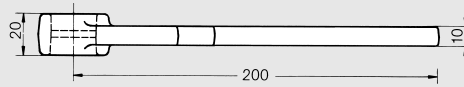
### Top centres

Art. No. 7411 K/56  
Zinc-plated steel; with eccentric pin and bush for adjustment after hanging the door; non-handed.  
Order No. 45300016



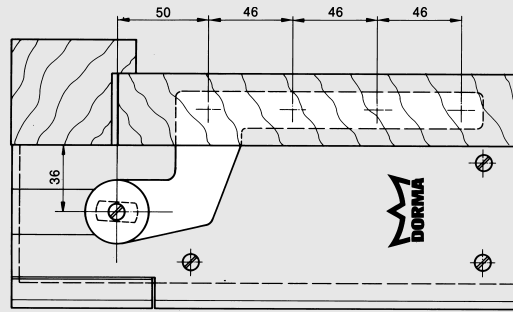
### Door strap

Art. No. 7411/56  
Drop forged steel, zinc-plated.  
Order No. 45010003



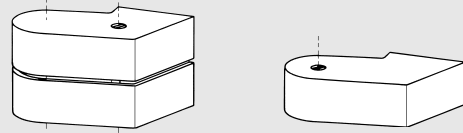
### Top washer for door strap

Art. No. 7432  
Stainless steel  
Order No. 45090030



### Cover caps

for top centres and door strap

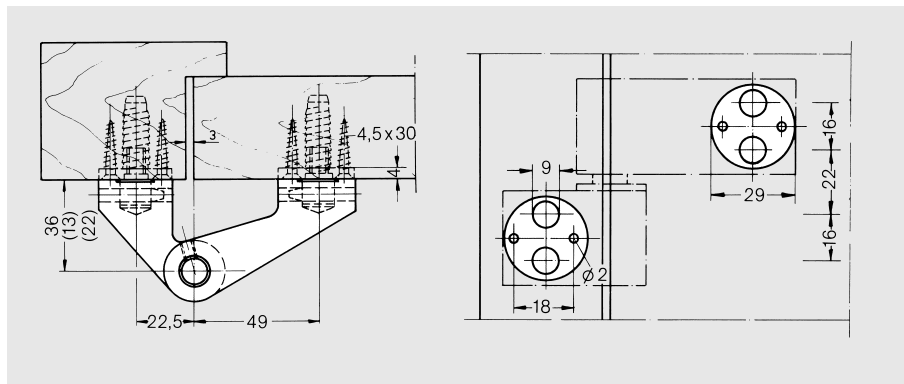


Type	Order No. for cover caps		
	for top centres, two parts	for door strap, single	
		LH (ISO 6)	RH (ISO 5)
Die cast aluminium Art. No. 7483/7481 Mill finish	45500301	45055300	45051300
Silver (EV 1, Euras C-0)	45500401	45055400	45051400
Dark bronze (DB 4, Euras C-34)	45500701	45055700	45051700

### LM pivot hinges with fixing for non-rebated timber doors

Offset in mm	Art. No.
36	A-36.10
22	A-22.10
13	A-13.10

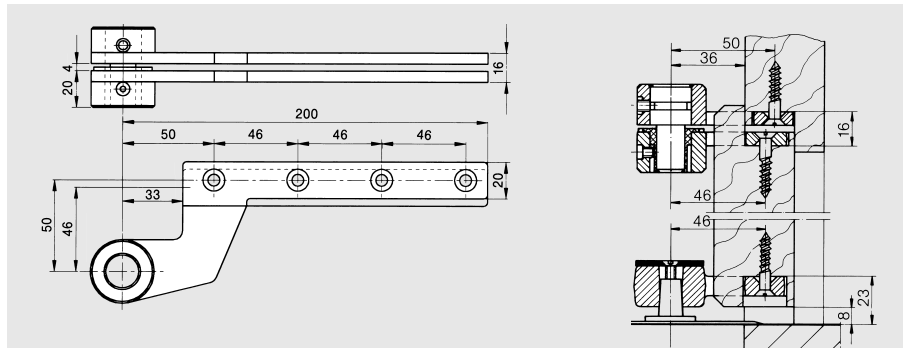
For order number, see LM hinge brochure



## For rebated doors

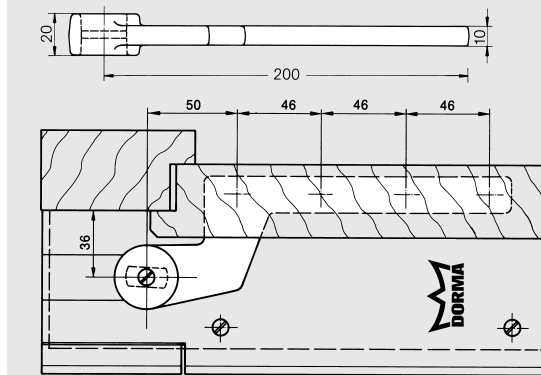
### Top centres

Art. No. 7411 K/46  
Zinc-plated steel; with eccentric pin and bush for adjustment after hanging the door; handed.  
LH (ISO 6) door  
Order No. 45305015  
RH (ISO 5) door  
Order No. 45301015



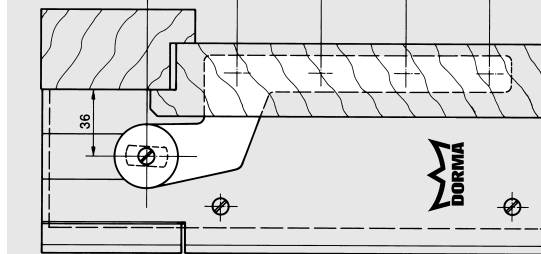
### Door strap

Art. No. 7411/46  
Drop forged steel, zinc-plated.  
Order No. 45010000



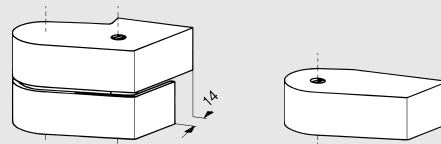
### Top washer for door strap

Art. No. 7432  
Stainless steel  
Order No. 45090030



### Cover caps

for top centres and door strap



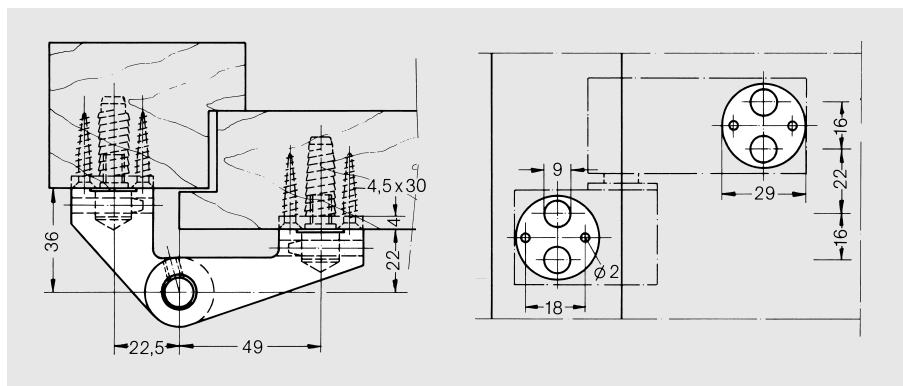
Type	Order No. for cover caps			
	for top centres, two parts		for door strap, single	
	LH (ISO 6)	RH (ISO 5)	LH (ISO 6)	RH (ISO 5)
Die cast aluminium				
Art. No. 7484/7482				
Mill finish	45505300	45501300	45055301	45051301
Silver (EV 1, Euras C-0)	45505400	45501400	45055401	45051401
Dark bronze (DB 4, Euras C-34)	45505700	45501700	45055701	45051701

### LM pivot hinges with fixing for over-rebated timber doors

For order number, see LM hinge brochure

### Drill jig for flush closing and over-rebated doors

Dimension x = 50.5 mm,  
Dimension y = 3 mm

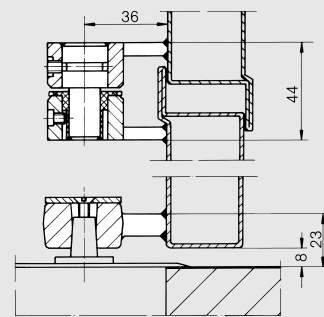
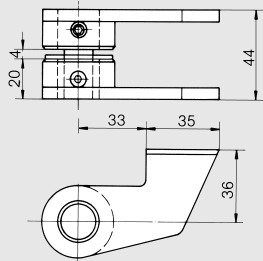


## For single action steel doors

### Weld-on accessories

#### Top centres

Art. No. 7431 K  
Steel, primed; with eccentric pin and bush for adjustment after hanging the door; non-handed.  
Order No. 45300012



#### Door strap

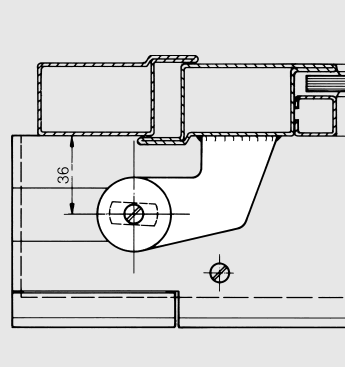
Art. No. 7431  
Drop forged steel, primed  
Order No. 45010005

#### Top washer for door strap

Art. No. 7432  
Stainless steel  
Order No. 45090030

#### Cover caps

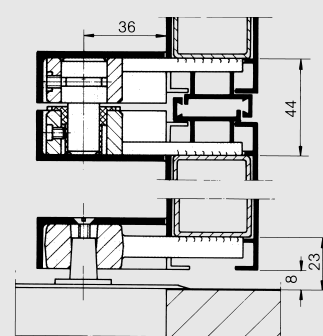
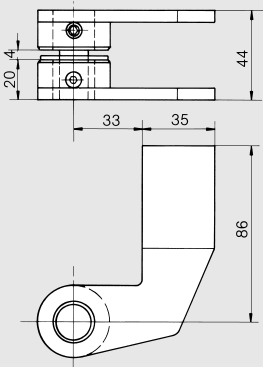
see pages 4 and 5



### Weld-on accessories

#### Top centres

Art. No. 7441 K  
Steel, primed; with eccentric pin and bush for adjustment after the door is hung; non-handed.  
Order No. 45300014



#### Door strap

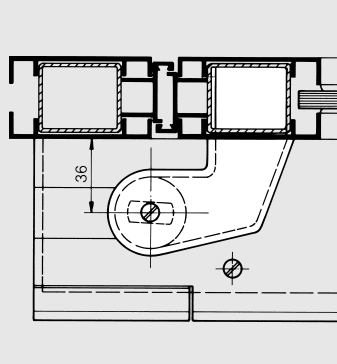
Art. No. 7441  
Drop forged steel, primed  
Order No. 45010007

#### Top washer for door strap

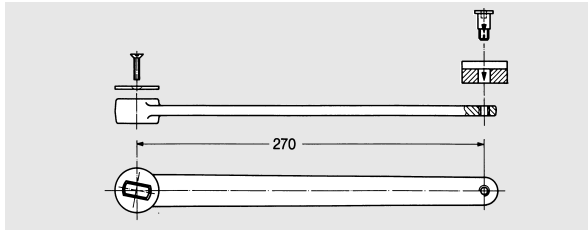
Art. No. 7432  
Stainless steel  
Order No. 45090030

#### Cover caps

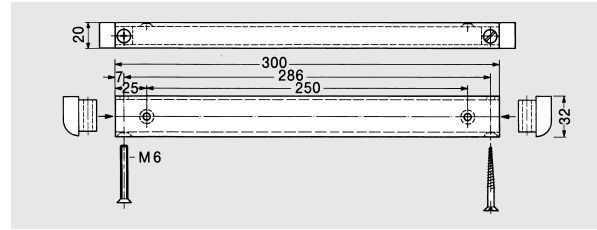
see pages 4 and 5



## For butt hung doors



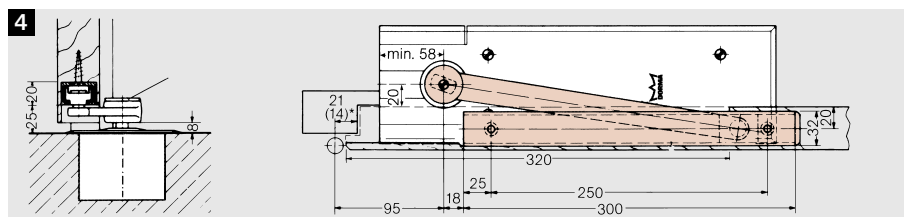
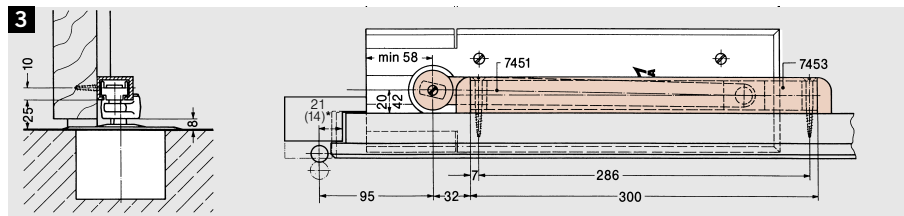
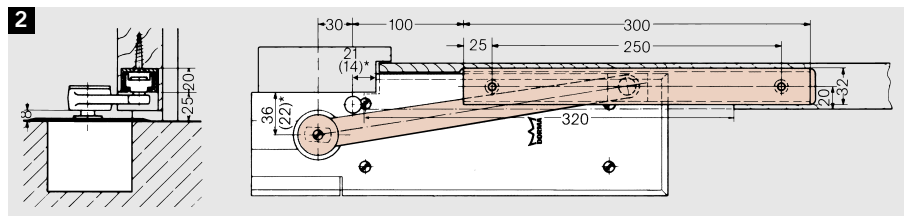
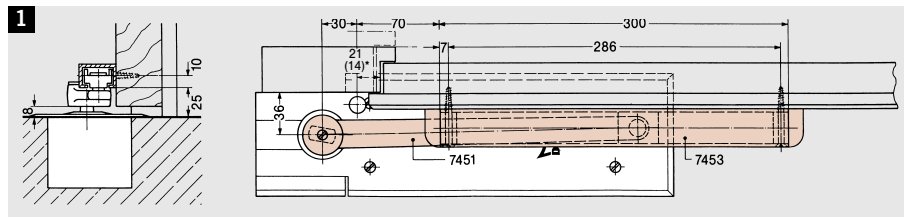
**Swing lever** Art. No. 7451 N  
Drop forged steel, including top washer 7432.  
Order No. 45090070



**Guide housing** Art. No. 7453 N  
Aluminium, anodised, silver (EV 1, Euras C-0).  
Order No. 45090053

### Example installations

( ) \* = Offset for non-rebated doors



### Max. opening angle, backcheck activation angle and hold-open angle

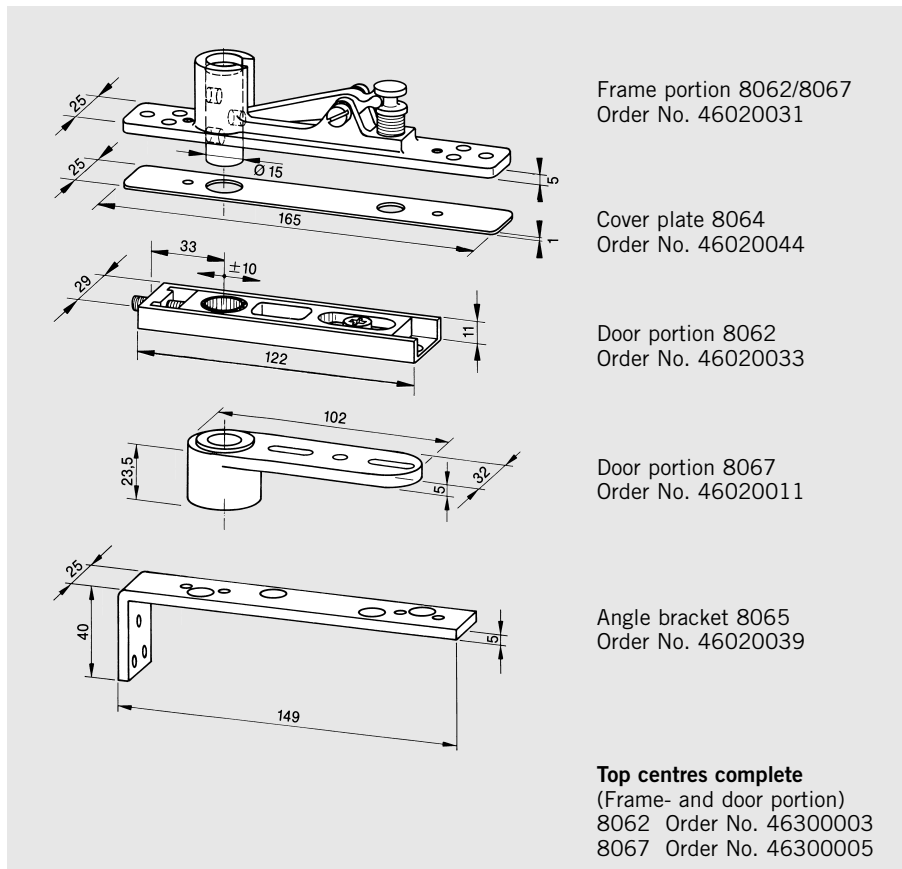
Installation		Door thickness in mm								
		Over-rebated door				Flush closing door				
		39	50	60	70	39	50	60	70	
1	Door opening <sup>1)</sup> in °, max.	100				100				
2		100				100				
3		125	116	108	102	114	105	98	92	
4		135	137	140	140	132	135	135	120	
1	Hold-open for BTS 80, and backcheck for BTS 75 and BTS 80 in °	78				78				
2		85				85				
3		60				60				
4		52				52				
1	Hold-open for BTS 75 in ° for following settings in °	105				95				100
2		90				90				90
3		105	83	85	87	90	86	90	92	95
4		120	102	105	107	112	108	111	115	120
		105	73	75	77	79	76	78	80	83
		120	90	93	95	98	95	100	102	105

<sup>1)</sup> Set door stop at maximum door opening. Owing to the differing pivot points of the floor spring and hinges, the backcheck is activated earlier, i.e. at an opening angle less than 85°. This type of installation reduces the floor spring's power. To minimise this effect, make sure that the door is correctly hung and free-running on its hinges. Detailed installation drawing available on request.

## For steel, aluminium and timber doors

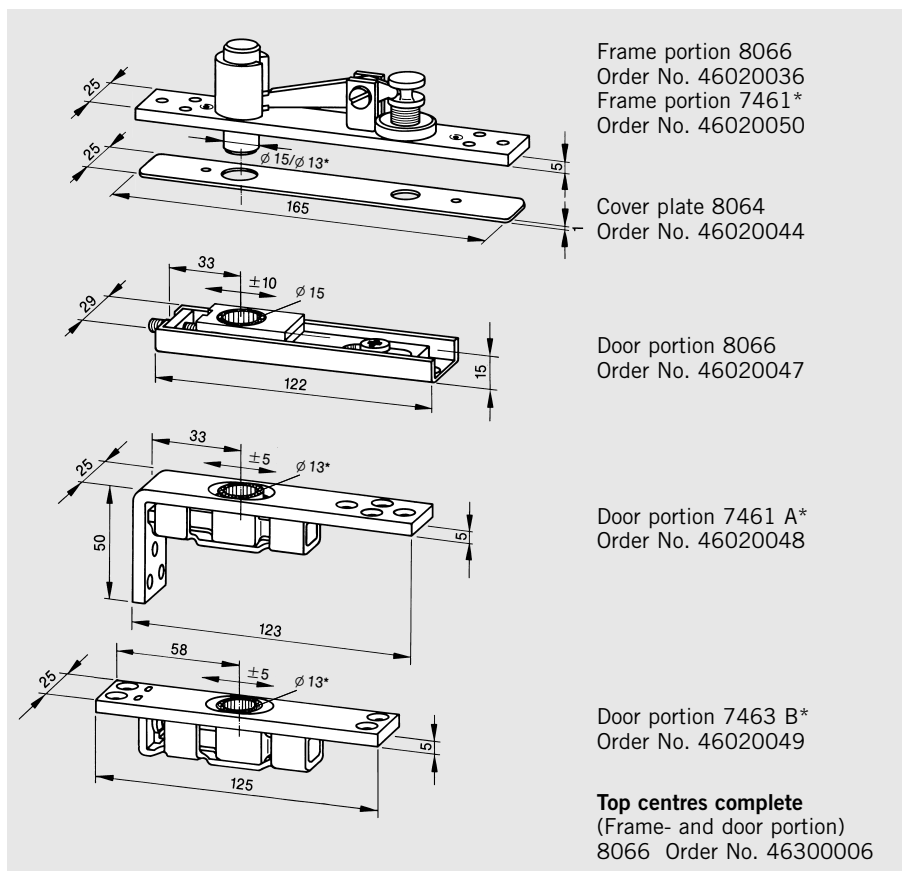
### Adjustable top centres (die cast aluminium)

comprising an frame portion with adjustable pin for deep profiles up to max. 20 mm, and door portion with needle bearing (8067 with plastics bearing). For deeper profiles, the top centre assembly can be supplied with pins extended by 10 mm or 20 mm.



### Adjustable top centres (steel)

comprising an frame portion with adjustable pin for deep profiles up to max. 20 mm, and door portion with needle bearing. For deeper profiles, the top centre assembly can be supplied with pins extended by 10 mm or 20 mm.

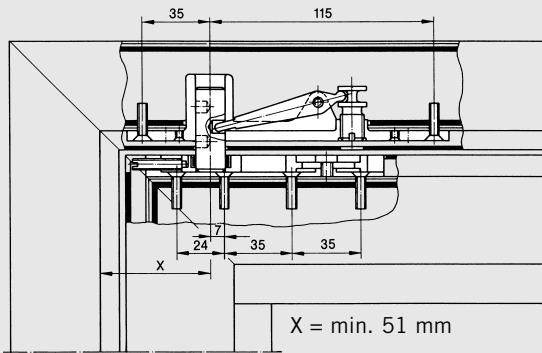


\* For door portions 7461 A and 7463 B, use frame portion 7461 with 13 mm dia. pin.

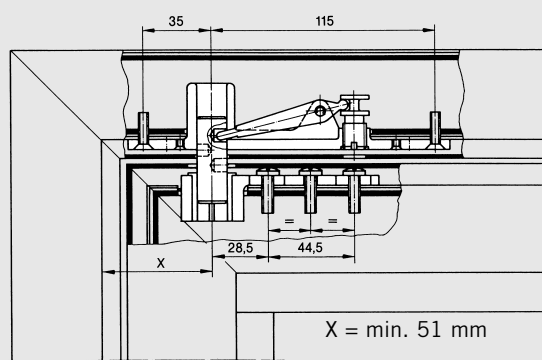


## Typical installations

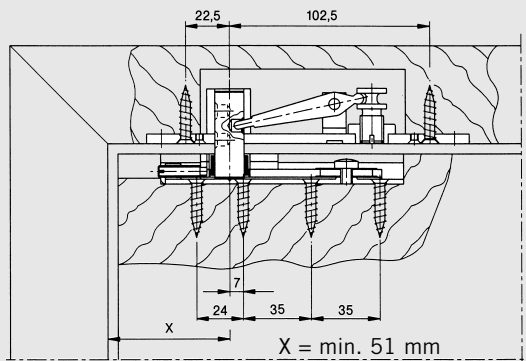
for aluminium doors **Top centre 8062**



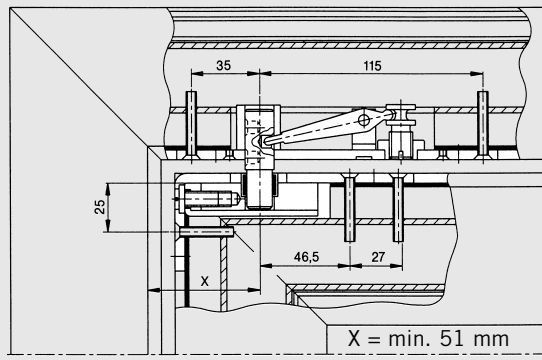
for aluminium doors **Top centre 8067**



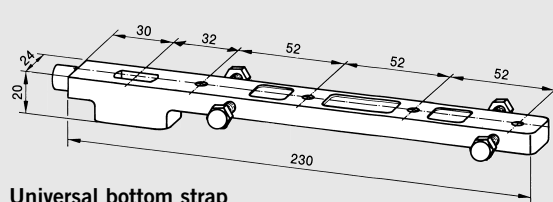
for timber doors **Top centre 8066**



for steel doors **Top centre 7461**



## Bottom straps

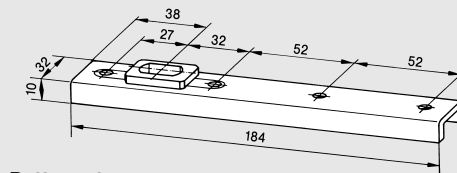


### Universal bottom strap

Art. No. 7422

Drop forged steel, zinc-plated; adjustable to various frame profiles.

Order No. 46010002

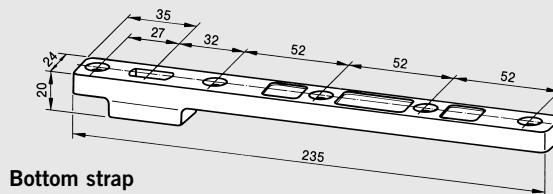


### Bottom strap

Art. No. 8021

Zinc-plated steel; for door weights up to 100 kg.

Order No. 45010410



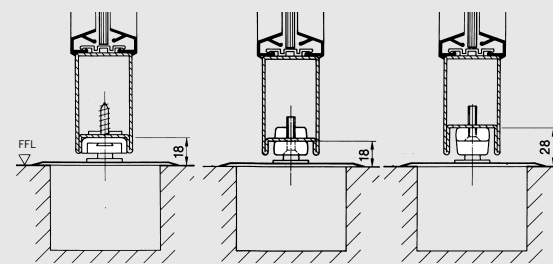
### Bottom strap

Art. No. 7421

Drop forged steel, zinc-plated for door weights up to 300 kg.

Order No. 46010001

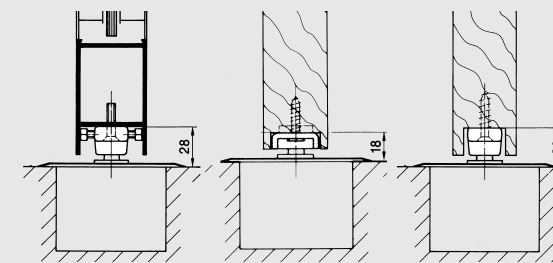
## Typical installations



**Bottom strap 8021**

**Bottom strap 7421**  
with milled hole

**Bottom strap 7421**  
surface fixed



**Bottom strap 7422**

**Bottom strap 8021**

**Bottom strap 7421**

## Pivot bearings

### Floor pivot bearing

#### Floor pivot bearing

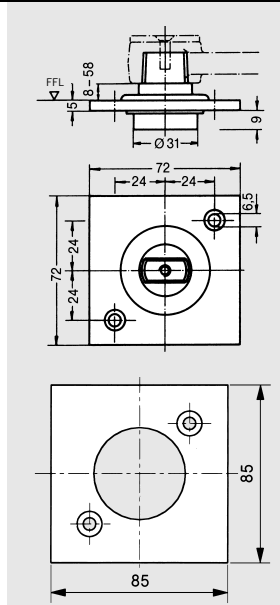
Art. No. 7471 K  
with thrust roller bearing,  
load capacity max. 200 kg.  
Order No. 45070001

Also available to special  
order with extended spindles  
in increments of 5 mm up  
to max. 50 mm.

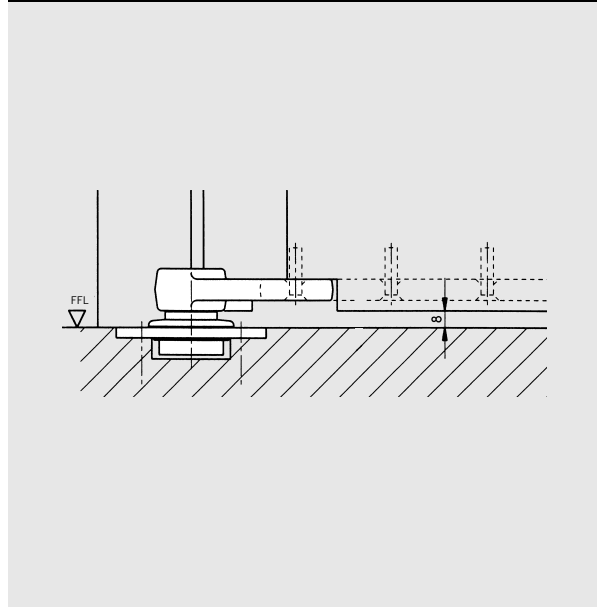
Art. No. 7471 AX  
with angular contact roller  
bearing, load capacity  
max. 300 kg.  
Order No. 45070002

#### Cover plate

7471 K/AX



### Typical installation



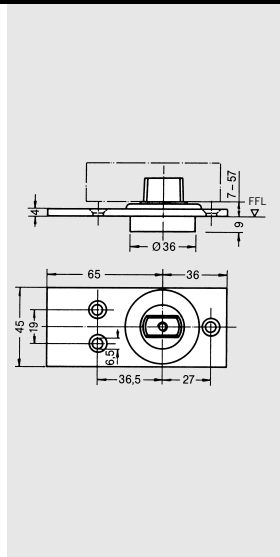
### Floor pivot bearing

#### Floor pivot bearing

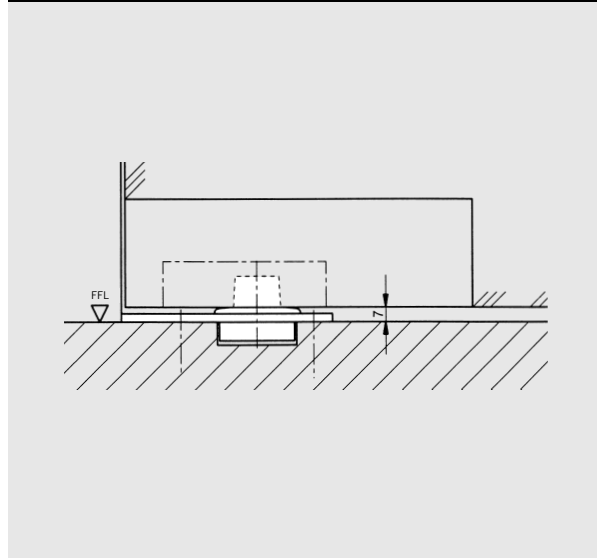
Art. No. 7475 AX  
with angular contact roller  
bearing, load capacity  
max. 300 kg.  
Order No. 45070003

Also available in stainless  
steel.

Art. No. 8560 GE  
Order No. 65540059



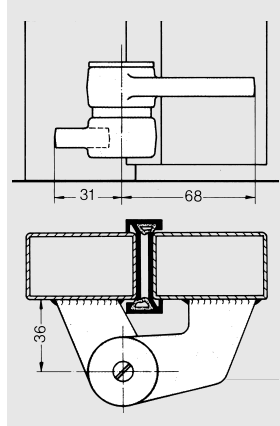
### Typical installation



### Weld-on hinge

#### Weld-on hinge

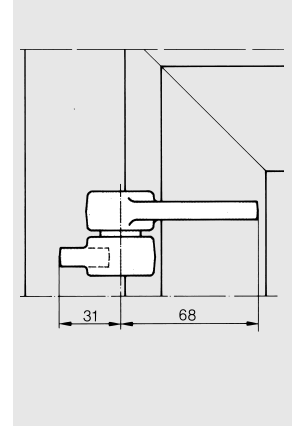
Art. No. 7472 K  
with thrust roller bearing,  
load capacity max. 200 kg,  
and door strap 7431  
(see page 6) non-handed,  
bearing can be inserted from  
either side.  
Order No. 45070011



### Weld-on hinge

#### Weld-on hinge

Art. No. 7472 M  
Used as intermediate pivot  
and upper hinge; with  
eccentric pin and bush for  
adjustment after hanging  
the door; non-handed  
bearing can be inserted from  
either side.  
Order No. 45900008



### Weld-on pivot bearing

#### Weld-on pivot bearing

Art. No. 7474 K  
with thrust roller bearing,  
load capacity max. 200 kg,  
and welded-on reinforcing  
plate.

LH (ISO 6) door:

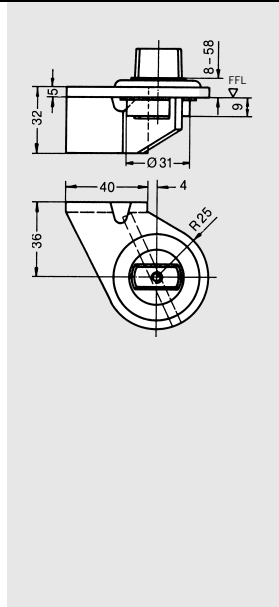
Order No. 45075007

RH (ISO 5) door:

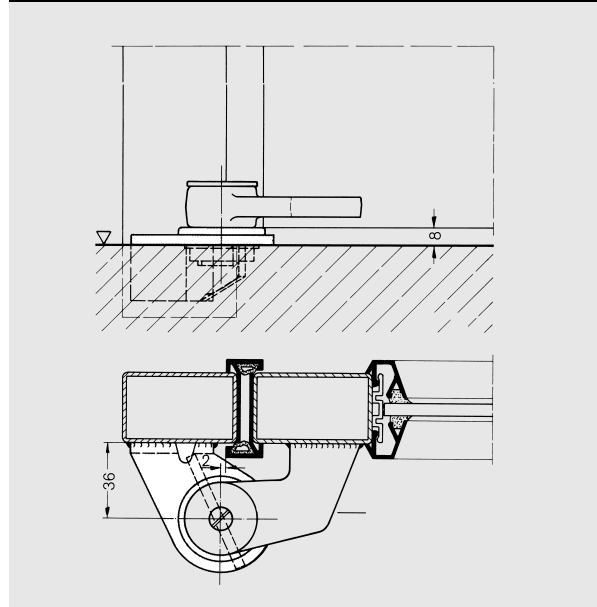
Order No. 45071007

AX model available on request  
(300 kg capacity)

Also available to special  
order with extended spindles  
in increments of 5 mm up  
to max. 50 mm.



### Typical installation



### Screw-on pivot bearing

#### Screw-on pivot bearing

Art. No. 7473 K  
with thrust roller bearing,  
load capacity max. 200 kg,  
and reinforcement plate  
supplied loose.

Suitable for timber, steel  
and aluminium doors.

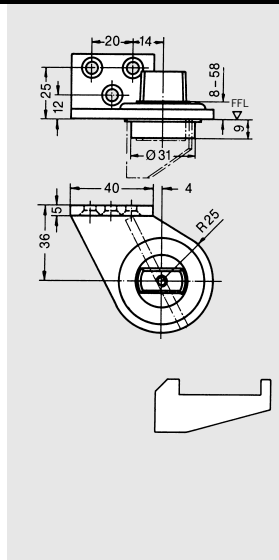
LH (ISO 6) door:

Order No. 45075005

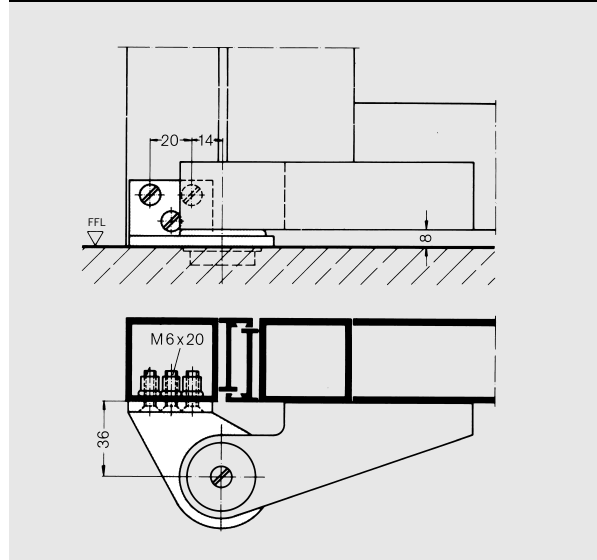
RH (ISO 5) door:

Order No. 45071005

Also available to special  
order with extended spindles  
in increments of 5 mm up  
to max. 50 mm.



### Typical installation

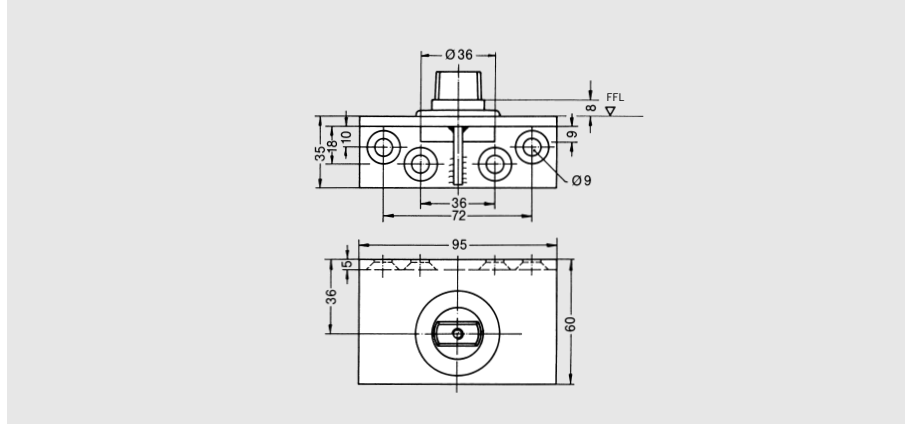


### Screw-on pivot bearing

#### Screw-on pivot bearing

Art. No. 7476 AX  
with angular-contact roller  
bearing, load capacity  
max. 300 kg.

Order No. 45070012



### Spindle inserts

Spindle inserts, zinc-plated,  
for DORMA BTS floor  
springs

Length in mm	Order No.
Standard	45200401
+ 5	45200402
+ 7.5	45200403
+ 10	45200404
+ 12.5	45200419
+ 15	45200405
+ 20	45200406
+ 25	45200407
+ 28	45200414
+ 30	45200408
+ 35	45200409
+ 40	45200410
+ 45	45200411
+ 50	45200412

### Special types available on request:

e.g. flat-tapered with 3° offset.  
Square spindle and other  
spindle inserts for non  
DORMA accessories.

### Sealing compound

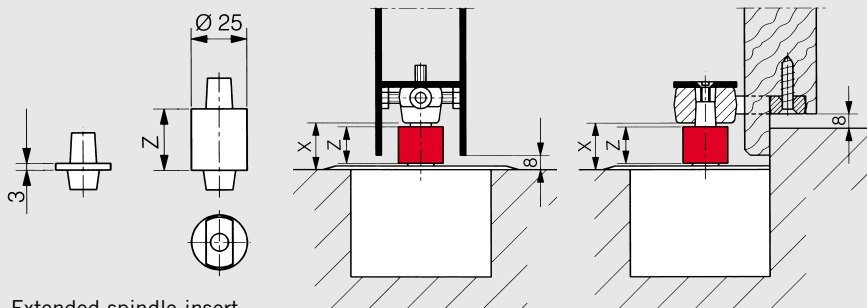
**DORMA sealing compound  
2300**

0.5 kg  
Order No. 45090011

### Cement boxes

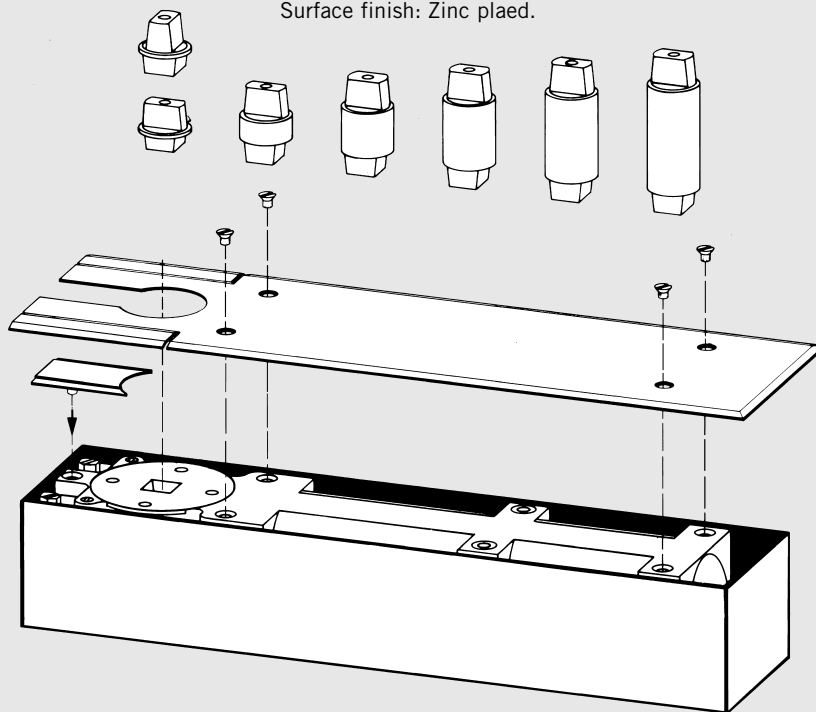
for floor springs	Order No.
DORMA BTS 80	45090056
DORMA BTS 75	45090057
DORMA BTS 84	81000001

### Typical applications



Extended spindle insert  
Spindle Extension  
Dimension "X" –  
(standard 8 mm)  
(Door clearance)  
Z – 3 mm

**NOTE:** Closer and bottom strap must be installed per  
fixing instructions for door clearances shown to be valid.  
Closers with extended spindle inserts are used with  
thresholds, carpeted floors, terazzo pans or in cases  
where more clearance between door and floor is required.  
Surface finish: Zinc plated.



**DORMA Door Controls Ltd.**  
DORMA Trading Park  
Staffa Road  
GB-London E10 7QX  
Tel. 02085588411  
Fax 02085586122  
E-mail:  
hardware@dorma-a-uk.co.uk

**DORMA Door Controls Ltd.**  
19, Sandyford Office Park  
Foxrock  
IRL-Dublin 18  
Tel. 01 295 82 80-82  
Fax 01 295 85 84  
E-mail:  
dormadublin@dorma.com

**DORMA Door Controls Pte. Ltd.**  
No. 2, Jalan Terusan, Jurong  
Singapore 619285  
Rep. of Singapore  
Tel. 0065 62687633  
Fax 0065 62657914

**DORMA Door Controls Pty. Ltd.**  
P.O. Box 1092  
Narre Warren Vic 3805  
52 Abbott Road  
Hallam/Victoria 3803  
Australia  
Tel. 0061 3/97 96 35 55  
Fax 0061 3/97 96 39 55

**DORMA Gulf Door Controls FZE**  
Jebel Ali Free Zone, Roundabout 8,  
Unit VC 02  
P.O. Box 17268  
Jebel Ali, Dubai  
United Arab Emirates  
Tel. 00971 48/83 90 14  
Fax 00971 48/83 90 15

**DORMA Door Controls (Pty.) Ltd.**  
Kings Court  
P.O. Box 82182  
2135 Southdale  
South Africa  
Tel. 0027 11/8 30 02 80  
Fax 0027 11/8 30 02 91

**DORMA GmbH + Co. KG**  
P.O. Box 40 09  
D-58247 Ennepetal  
Breckerfelder Straße 42-48  
D-58256 Ennepetal  
Germany  
Tel. +49(0)23 33/7 93-0  
Fax +49(0)23 33/79 34 95

The address of a subsidiary/  
representation in your area you  
can find at the DORMA website:  
[www.dorma.com](http://www.dorma.com)